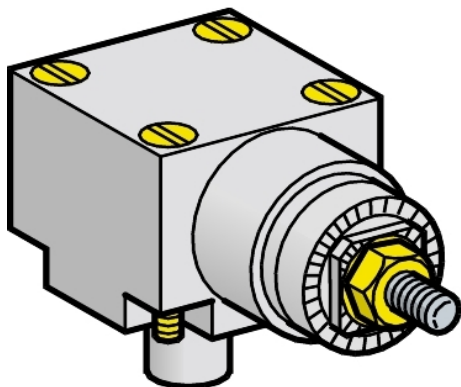


ZCKE095

Limit switch head, Limit switches XC Standard, ZCKE, w/o lever stay put left and right actuation, +120 °C



Main

| | |
|----------------------------|--|
| Range of product | Telemecanique Limit switches XC Standard |
| Series name | Standard format |
| Product or component type | Limit switch head |
| Device short name | ZCKE |
| Head type | Rotary head |
| Product compatibility | XCKJ |
| Associated body | ZCKJ9H29 ZCKJD31H7 ZCKJ2 ZCKJ9H7 ZCKJD31H29 ZCKJD39H7 ZCKJ1H7 ZCKJ11 ZCKJ9 ZCKJD39 ZCKJ21 ZCKJ2H29 ZCKJ11H29 ZCKJ1H29 ZCKJ2H7 ZCKJ11H7 ZCKJ21H7 ZCKJD39H29 ZCKJ1 ZCKJD31 ZCKJ21H29 |
| Movement of operating head | Rotary |
| Type of operator | Stay put without operating lever stay put |
| Type of approach | Lateral approach, 2 directions |

Complementary

| | |
|------------------|---------------------|
| Switch actuation | From left and right |
| Positive opening | With |
| Net weight | 0.19 kg |
| Head material | Metal |

Environment

| | |
|---------------------------------------|------------------|
| Ambient air temperature for operation | 10...120 °C |
| Ambient air temperature for storage | 10...120 °C |
| Environmental characteristic | High temperature |

Packing Units

| | |
|------------------------------|---------|
| Unit Type of Package 1 | PCE |
| Number of Units in Package 1 | 1 |
| Package 1 Height | 4.1 cm |
| Package 1 Width | 4.5 cm |
| Package 1 Length | 9.0 cm |
| Package 1 Weight | 195.0 g |
| Unit Type of Package 2 | S02 |

| | |
|------------------------------|-----------|
| Number of Units in Package 2 | 50 |
| Package 2 Height | 15.0 cm |
| Package 2 Width | 30.0 cm |
| Package 2 Length | 40.0 cm |
| Package 2 Weight | 10.205 kg |

Offer Sustainability

| | |
|--|---|
| Sustainable offer status | Green Premium product |
| Environmental Disclosure | Product Environmental Profile |
| Circularity Profile | No need of specific recycling operations |
| California proposition 65 | WARNING: This product can expose you to chemicals including: Diisononyl phthalate (DINP), which is known to the State of California to cause cancer, and Di-isodecyl phthalate (DIDP), which is known to the State of California to cause birth defects or other reproductive harm. For more information go to www.P65Warnings.ca.gov |
| For all Reach Rohs enquiries contact us at | sustainability@tesensors.com |

Contractual warranty

| | |
|----------|-----------|
| Warranty | 18 months |
|----------|-----------|