



## Main

|                               |  |
|-------------------------------|--|
| Range of product              | Telemecanique Photoelectric sensors XU                                   |
| Series name                   | Application assembly   |
| Electronic sensor type        | Photo-electric sensor  |
| Sensor name                   | XUY  |
| Sensor design                 | Miniature  |
| Detection system              | Diffuse with background suppression                                      |
| Material                      | Plastic  |
| Type of output signal         | Discrete   |
| Supply circuit type           | DC   |
| Wiring technique              | 3-wire   |
| Discrete output type          | PNP  |
| Discrete output function      | 1 NO or 1 NC programmable  |
| Electrical connection         | 1 male connector M8, 4 pins  |
| Product specific application  | Monitoring of small parts on production machine<br>Setting up of sensors |
| Emission                      | Red LED, pulsed - class 2 conforming to IEC 825-1                        |
| [Sn] nominal sensing distance | 0.03...0.11 m  |

## Complementary

|                           |  |
|---------------------------|--|
| Enclosure material        | ABS  |
| Pulse frequency           | 5 kHz  |
| Spot diameter             | <= 0.7 mm  |
| Output type               | Solid state  |
| Status LED                | Supply on/dirty: 1 LED (green)<br>Output state: 1 LED (yellow) |
| [Us] rated supply voltage | 12...24 V DC with reverse polarity protection                  |
| Supply voltage limits     | 10...30 V DC   |
| Switching capacity in mA  | 100 mA (overload and short-circuit protection)                 |
| Switching frequency       | 1000 Hz  |
| Maximum voltage drop      | <2.4 V (closed state)  |
| Current consumption       | < 25 mA no-load  |
| Maximum delay response    | 3 µs   |
| Setting-up                | Using teach button or remote teaching                          |
| Net weight                | 0.056 kg   |

## Environment

|                                       |   |
|---------------------------------------|---|
| Product certifications                | CE[RETURN]cULus   |
| Ambient air temperature for operation | -20...60 °C   |
| Ambient air temperature for storage   | -20...80 °C   |
| Immunity to ambient light             | 5000 lux  |
| Vibration resistance                  | 7 gn, amplitude = +/- 1.5 mm (f = 10...55 Hz) conforming to IEC 60068-2-6 |
| Shock resistance                      | 30 gn (duration = 11 ms) conforming to IEC 60068-2-27                     |
| IP degree of protection               | IP67 conforming to IEC 60529  |

The information provided in this documentation contains general descriptions and/or technical characteristics of the performance of the products contained herein. This documentation is not intended as a substitute for and is not to be used for determining suitability or reliability of these products for specific user applications. It is the duty of any such user or integrator to perform the appropriate and complete risk analysis, evaluation and testing of the products with respect to the relevant specific application or use thereof. Neither TWSS Holding nor any of its affiliates or subsidiaries shall be responsible or liable for misuse of the information contained herein.

## Packing Units

|                              |         |
|------------------------------|---------|
| Unit Type of Package 1       | PCE     |
| Number of Units in Package 1 | 1       |
| Package 1 Height             | 2.5 cm  |
| Package 1 Width              | 6.0 cm  |
| Package 1 Length             | 9.0 cm  |
| Package 1 Weight             | 22.0 g  |
| Unit Type of Package 2       | S01     |
| Number of Units in Package 2 | 10      |
| Package 2 Height             | 15 cm   |
| Package 2 Width              | 15 cm   |
| Package 2 Length             | 40 cm   |
| Package 2 Weight             | 372.0 g |

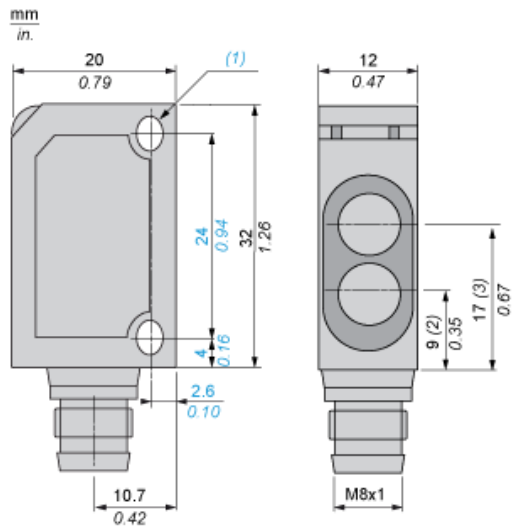
## Offer Sustainability

|  |   |
|--|---|
| California proposition 65                  | WARNING: This product can expose you to chemicals including: Diisononyl phthalate (DINP), which is known to the State of California to cause cancer, and Di-isodecyl phthalate (DIDP), which is known to the State of California to cause birth defects or other reproductive harm. For more information go to <a href="http://www.P65Warnings.ca.gov">www.P65Warnings.ca.gov</a> |
| For all Reach Rohs enquiries contact us at | <a href="mailto:sustainability@tesensors.com">sustainability@tesensors.com</a>  |

## Contractual warranty

|          |           |
|----------|-----------|
| Warranty | 18 months |
|----------|-----------|

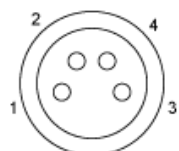
Dimensions



- (1) 2 elongated holes  $\text{Ø } 3.2 \times 4.2$
- (2) Transmitter optical axis
- (3) Receiver optical axis

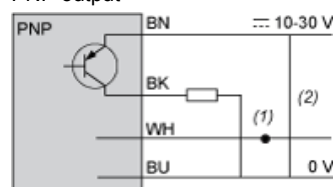
## Wiring Schemes

M8 connector



- 1: Brown
- 2: White
- 3: Blue
- 4: Black

PNP output



- (+) Brown
- BN :
- WH : White
- (-) Blue
- BU :
- (Output) Black
- BK :
- (1) Connected to +: external teaching, connected to -: locking of functions
- (2) Output 100 mA max.