

# XS8E1A1PAL01M12

Inductive proximity sensors XS, inductive sensor XS8 26x26x13, PBT, Sn15mm, 12...24 VDC, M12 0.15 m



## Main

|                                    |   |
|------------------------------------|---|
| Range of product                   | Telemecanique Inductive proximity sensors XS            |
| Series name                        | General purpose   |
| Sensor type                        | Inductive proximity sensor                              |
| Device application                 | -   |
| Sensor name                        | XS8   |
| Sensor design                      | Flat form 26 x 26 x 13                                  |
| Size                               | 13 mm   |
| Body type                          | Fixed   |
| Detector flush mounting acceptance | Non flush mountable                                     |
| Material                           | Plastic   |
| Enclosure material                 | PBT   |
| Type of output signal              | Discrete  |
| Wiring technique                   | 3-wire  |
| [Sn] nominal sensing distance      | 10 Mm flush mountable<br>15 mm non flush mountable      |
| Discrete output function           | 1 NO  |
| Output circuit type                | DC  |
| Discrete output type               | PNP   |
| Electrical connection              | Remote male connector M12, 4 pins                       |
| Cable length                       | 0.15 m  |
| [Us] rated supply voltage          | 12...24 V DC with reverse polarity protection           |
| Switching capacity in mA           | <= 100 mA DC with overload and short-circuit protection |
| IP degree of protection            | IP67 double insulation conforming to IEC 60529          |

## Complementary

|                          |  |
|--------------------------|--|
| Detection face           | Frontal  |
| Front material           | PBT  |
| Fine adjustment zone     | 5...10 Mm flush mountable<br>5...15 mm non flush mountable |
| Differential travel      | 1...15% of Sr  |
| Wire insulation material | PVC  |
| Supply voltage limits    | 10...36 V DC   |
| Maximum residual current | 1.5 mA open state  |
| Switching frequency      | <= 2000 Hz   |
| Maximum voltage drop     | <2 V (closed)  |
| Current consumption      | <= 10 mA no-load   |
| Maximum delay first up   | 10 ms  |
| Maximum delay response   | 0.3 ms   |
| Maximum delay recovery   | 0.8 ms   |
| Marking                  | CE   |
| Depth                    | 13 mm  |
| Height                   | 26 mm  |
| Width                    | 26 mm  |
| Net weight               | 0.04 kg  |

## Environment

|                                       |   |
|---------------------------------------|---|
| Product certifications                | UL[RETURN]CSA[RETURN]Ecolab   |
| Ambient air temperature for operation | -25...70 °C   |
| Ambient air temperature for storage   | -40...85 °C   |
| Vibration resistance                  | 25 gn amplitude = +/- 2 mm (f = 10...55 Hz) conforming to IEC 60068-2-6 |
| Shock resistance                      | 50 gn for 11 ms conforming to IEC 60068-2-27                            |

## Packing Units

|                              |           |
|------------------------------|-----------|
| Unit Type of Package 1       | PCE       |
| Number of Units in Package 1 | 1         |
| Package 1 Height             | 4.200 cm  |
| Package 1 Width              | 9.600 cm  |
| Package 1 Length             | 6.600 cm  |
| Package 1 Weight             | 55.000 g  |
| Unit Type of Package 2       | S02       |
| Number of Units in Package 2 | 44        |
| Package 2 Height             | 15.000 cm |
| Package 2 Width              | 30.000 cm |
| Package 2 Length             | 40.000 cm |
| Package 2 Weight             | 2.695 kg  |

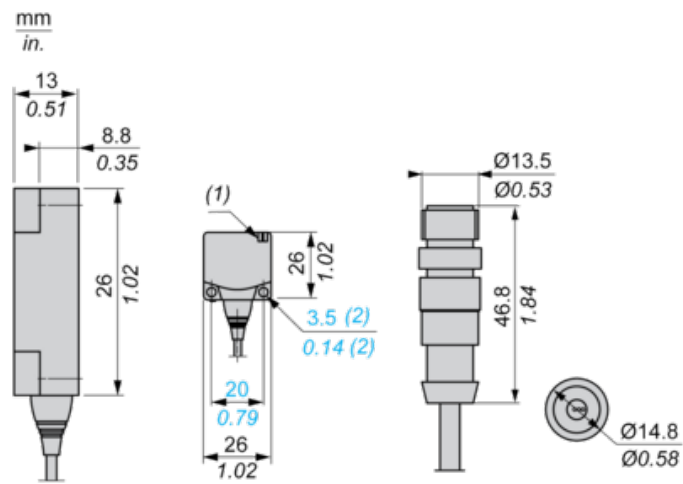
## Offer Sustainability

|  |   |
|--|---|
| Sustainable offer status                   | Green Premium product   |
| Environmental Disclosure                   | <a href="#">Product Environmental Profile</a>   |
| Circularity Profile                        | No need of specific recycling operations <a href="#">Circularity Profile</a>  |
| California proposition 65                  | WARNING: This product can expose you to chemicals including: Diisononyl phthalate (DINP), which is known to the State of California to cause cancer, and Di-isodecyl phthalate (DIDP), which is known to the State of California to cause birth defects or other reproductive harm. For more information go to <a href="http://www.P65Warnings.ca.gov">www.P65Warnings.ca.gov</a> |
| For all Reach Rohs enquiries contact us at | <a href="mailto:sustainability@tesensors.com">sustainability@tesensors.com</a>  |

## Contractual warranty

|          |           |
|----------|-----------|
| Warranty | 18 months |
|----------|-----------|

Dimensions



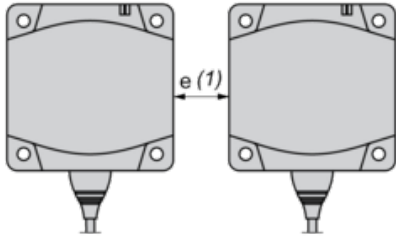
(1) LED

(2) For CHC type screws

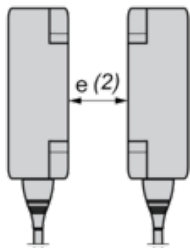
Setting-up

Minimum Mounting Distances (mm)

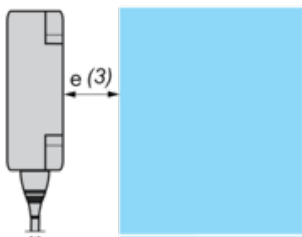
Side by Side



Face to Face



Facing a Metal Object



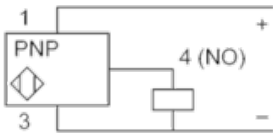
|                   | e (1) | e (2) | e (3) |
|-------------------|-------|-------|-------|
| Flush mounted     | 40    | 80    | 10    |
| Not flush mounted | 150   | 300   |       |

---

## Wiring Schemes

---

### PNP



### M12

