

# Fișă tehnică produs

Specificatii



## Cap de Selector Ø22, Revenire cu Arc In 2 Pozitii, Ronis 455



ZB4BG6

### Principal

Gama De Produse	Harmony XB4
Tip Produs Sau Componenta	Cap pentru selector cu cheie
Nume Scurt Al Dispozitivului	ZB4
Material Rama	Metal cromat
Diametrul De Montaj	22 mm
Tip Cap	Standard
Cantitate Indivizibila De Vanzare	1
Forma A Capului Unitatii De Semnalizare	Rotund
Revenire	De la dreapta spre stânga
Profil Utilizator	Negru comutator cu cheie
Informatii De Pozitie Operator	2 pozitii 90°
Tip De Blocaj	Cheie 455
Pozitie De Scoatere Cheie	Stanga

### Suplimentar

Cad Latime Globala	29 mm
Cad Inaltime Globala	29 mm
Cad Adancime Globala	72 mm
Greutate Neta	0,098 kg
Rezistenta La Spalare Cu Presiune Inalta	7000000 Pa la 55 °C, distanta : 0.1 m
Durabilitate Mecanica	1000000 cic
Cod Compozitie Electrica	C3 pentru <6 contacte utilizand monofilar bloc in montajin fata C4 pentru <6 contacte utilizand single and double bloc in montajin fata C5 pentru <5 contacte utilizand monofilar bloc in montajin fata C6 pentru <5 contacte utilizand single and double bloc in montajin fata C7 pentru <4 contacte utilizand monofilar bloc in montajin fata C8 pentru <4 contacte utilizand single and double bloc in montajin fata C11 pentru <3 contacte utilizand monofilar bloc in montajin fata C15 pentru <1 contacte utilizand monofilar bloc in montajin fata
Prezentare Dispozitiv	Element de baza

### Mediu

Tratament Protector	TH
Temperatura Ambietala Pentru Depozitare	-40...70 °C

<b>Temperatura Ambientala De Functionare</b>	-40...70 °C
<b>Categorii De Supratensiune</b>	Class I conformitate cu IEC 60536
<b>Grad De Protectie Ip</b>	IP66 conformitate cu SR EN 60529 IP67 IP69 IP69K
<b>Grad De Protectie Nema</b>	NEMA 13 NEMA 4X
<b>Grad De Protectie Ik</b>	IK06 with keyhole cover ZBGP conforming to IEC 50102
<b>Standarde</b>	EN/IEC 60947-1 EN/IEC 60947-5-5 EN/IEC 60947-5-4 UL 60947-1 CSA C22.2 No 15 GB 14048.5 SR EN 60947-5-1
<b>Certificari Produs</b>	LROS (Lloyds register of shipping) listat de UL DNV GL CSA BV
<b>Rezistenta La Vibratii</b>	5 gn (f= 2...500 Hz) conformitate cu IEC 60068-2-6
<b>Rezistenta La Socuri</b>	30 gn (durata = 18 ms) pentru half sine wave acceleration conformitate cu IEC 60068-2-27 50 gn (durata = 11 ms) pentru half sine wave acceleration conformitate cu IEC 60068-2-27

## Unitati de ambalare

<b>Unitate De Masura Pentru Prima Forma De Impachetare</b>	PCE
<b>Numar Unitati In Prima Forma De Impachetare</b>	1
<b>Inaltime Prima Forma De Impachetare</b>	3,600 cm
<b>Latime Prima Forma De Impachetare</b>	5,400 cm
<b>Lungime Prima Forma De Impachetare</b>	9,100 cm
<b>Greutate Prima Forma De Impachetare</b>	103,000 g
<b>Unitate De Masura Pentru A Doua Forma De Impachetare</b>	BB1
<b>Numar Unitati In A Doua Forma De Impachetare</b>	5
<b>Inaltime A Doua Forma De Impachetare</b>	8,800 cm
<b>Latime A Doua Forma De Impachetare</b>	26,000 cm
<b>Lungime A Doua Forma De Impachetare</b>	3,300 cm
<b>Greutate A Doua Forma De Impachetare</b>	520,000 g
<b>Unitate De Masura Pentru A Treia Forma De Impachetare</b>	S03
<b>Numar Unitati In A Treia Forma De Impachetare</b>	100
<b>Inaltime A Treia Forma De Impachetare</b>	30,000 cm
<b>Latime A Treia Forma De Impachetare</b>	30,000 cm
<b>Lungime A Treia Forma De Impachetare</b>	40,000 cm
<b>Greutate A Treia Forma De Impachetare</b>	10,861 kg

# Garanție contractuală

---

Garantie

18 months

## Sustenabilitate

Eticheta **Green Premium™** reprezintă angajamentul Schneider Electric de a livra produse cu cea mai bună performanță de mediu din clasa lor. Green Premium promite respectarea celor mai recente reglementări, transparență în ceea ce privește impactul asupra mediului, precum și produse circulare și cu emisii reduse de CO<sub>2</sub>.

**Ghidul pentru evaluarea sustenabilității produsului** este un ghid care clarifică standardele globale de etichetă ecologică și modul de interpretare a declarațiilor de mediu.

[Ghid pentru evaluarea sustenabilității unui produs >](#)



Transparență RoHS/REACH

## Echipament sustenabil

Fara Mercur

Informatii Privind Scutirea De La Rohs Da

## Certificari si standarde

Regulamentul Reach

[Declaratia REACH](#)

Directiva Rohs Ue

Conformitate proactivă (Produs în afara domeniului de aplicare a EU RoHS)

Regulamentul Rohs China

[Declaratia RoHS China](#)

Raport De Mediu

[Profilul ambiental al produsului](#)

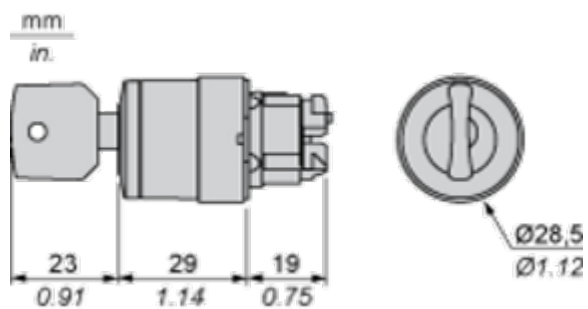
Profil Circularitate

[Informatii privind sfarsitul duratei de viata](#)

Dimensions Drawings

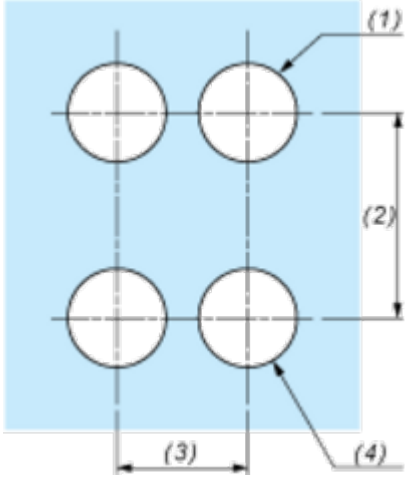
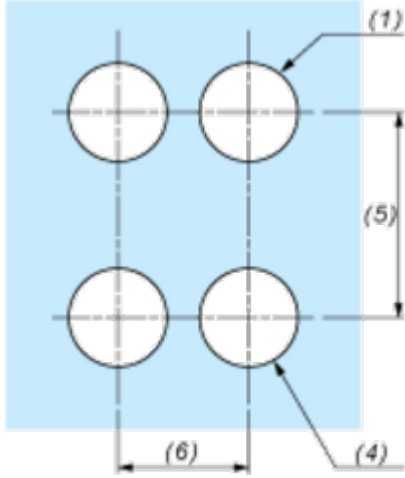
Dimensions

---



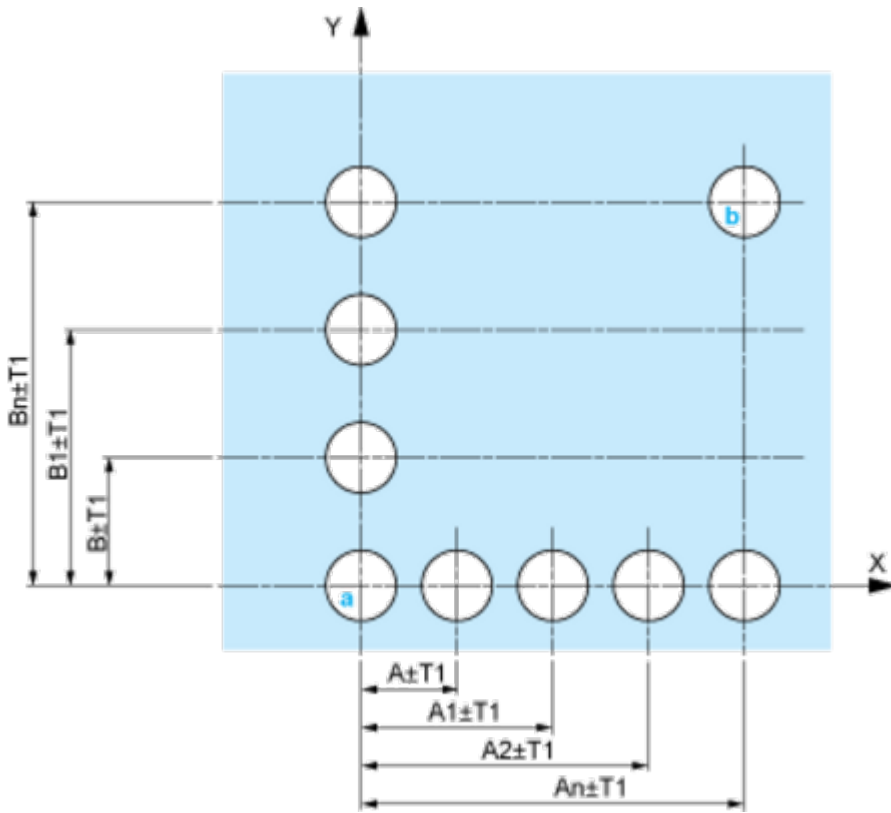
Mounting and Clearance

**Panel Cut-out for Pushbuttons, Switches and Pilot Lights (Finished Holes, Ready for Installation)**

Connection by Screw Clamp Terminals or Plug-in Connectors or on Printed Circuit Board	Connection by Faston Connectors
	
<p>(1) Diameter on finished panel or support</p> <p>(2) 40 mm min. / 1.57 in. min.</p> <p>(3) 30 mm min. / 1.18 in. min.</p> <p>(4) <math>\varnothing 22.5 \text{ mm} / 0.89 \text{ in. recommended } (\varnothing 22.3 \text{ mm }_0^{+0.4} / 0.88 \text{ in. }_0^{+0.016})</math></p> <p>(5) 45 mm min. / 1.78 in. min.</p> <p>(6) 32 mm min. / 1.26 in. min.</p>	

Pushbuttons, Switches and Pilot Lights for Printed Circuit Board Connection

Panel Cut-outs (Viewed from Installer's Side)



A: 30 mm min. / 1.18 in. min.

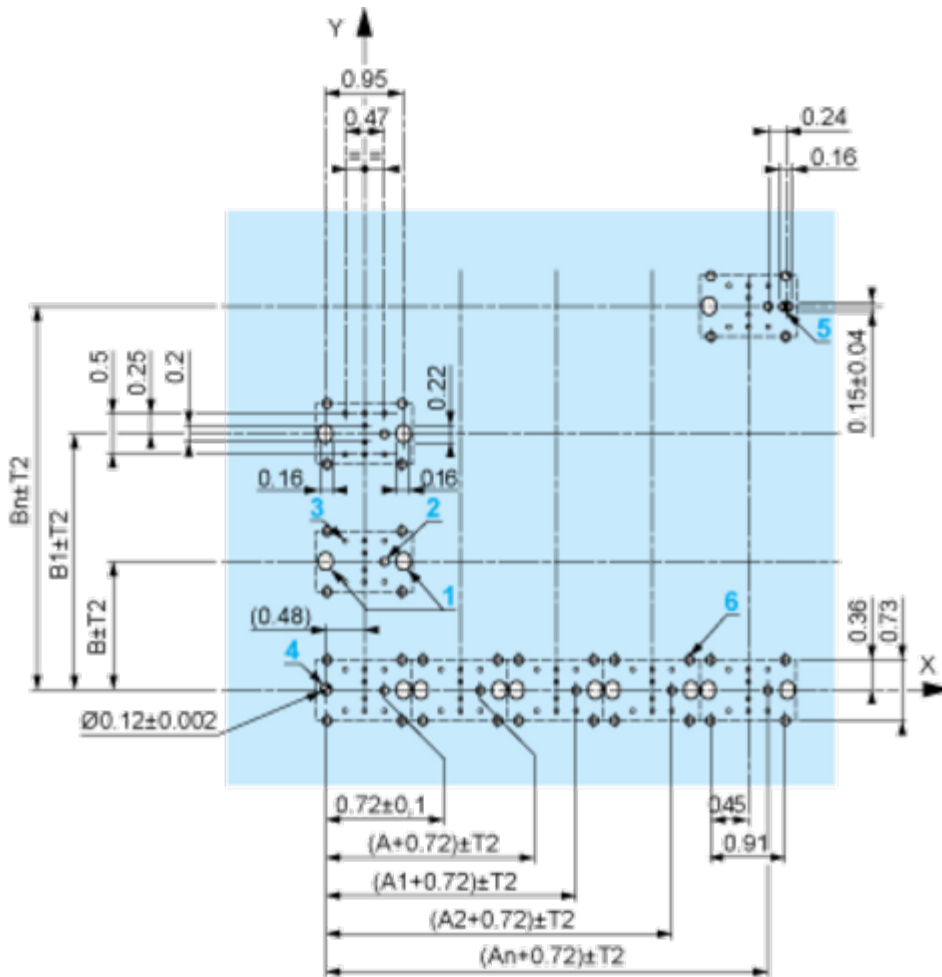
B: 40 mm min. / 1.57 in. min.

**Printed Circuit Board Cut-outs (Viewed from Electrical Block Side)**

Dimensions in mm







A: 1.18 in. min.

B: 1.57 in. min.

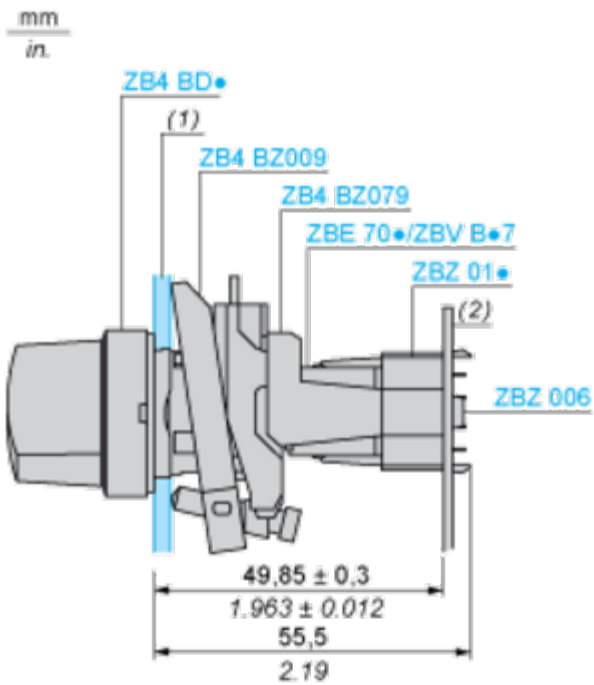
### General Tolerances of the Panel and Printed Circuit Board

The cumulative tolerance must not exceed 0.3 mm / 0.012 in:  $T1 + T2 = 0.3 \text{ mm max.}$

### Installation Precautions

- Minimum thickness of circuit board: 1.6 mm / 0.06 in.
- Cut-out diameter: 22.4 mm  $\pm 0.1$  / 0.88 in.  $\pm 0.004$
- Orientation of body/fixing collar ZB4 BZ009:  $\pm 2^\circ 30'$  (excluding cut-outs marked a and b).
- Tightening torque of screws ZBZ 006: 0.6 N.m (5.3 lbf.in) max.
- Allow for one ZB4 BZ079 fixing collar/pillar and its fixing screws:
  - every 90 mm / 3.54 in. horizontally (X), and 120 mm / 4.72 in. vertically (Y).
  - with each selector switch head (ZB4 BD\*, ZB4 BJ\*, ZB4 BG\*).

The fixing centers marked a and b are diagonally opposed and must align with those marked 4 and 5.



(1) Panel

(2) Printed circuit board

#### Mounting of Adapter (Socket) ZBZ 01•

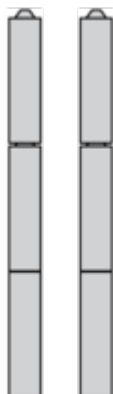
- 1 2 elongated holes for ZBZ 006 screw access
- 2 1 hole  $\varnothing 2.4 \text{ mm} \pm 0.05 / 0.09 \text{ in.} \pm 0.002$  for centring adapter ZBZ 01•
- 3  $8 \times \varnothing 1.2 \text{ mm} / 0.05 \text{ in.}$  holes
- 4 1 hole  $\varnothing 2.9 \text{ mm} \pm 0.05 / 0.11 \text{ in.} \pm 0.002$ , for aligning the printed circuit board (with cut-out marked a)
- 5 1 elongated hole for aligning the printed circuit board (with cut-out marked b)
- 6 4 holes  $\varnothing 2.4 \text{ mm} / 0.09 \text{ in.}$  for clipping in adapter ZBZ 01•

Dimensions An + 18.1 relate to the  $\varnothing 2.4 \text{ mm} \pm 0.05 / 0.09 \text{ in.} \pm 0.002$  holes for centring adapter ZBZ 01•.

Technical Description

Electrical Composition Corresponding to Code C3

---



Electrical Composition Corresponding to Code C4

---



Electrical Composition Corresponding to Code C5

---



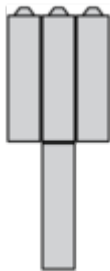
Electrical Composition Corresponding to Code C6

---



Electrical Composition Corresponding to Code C7

---



Electrical Composition Corresponding to Code C8

---





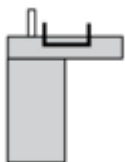
Electrical Composition Corresponding to Codes C9, C11, SF1 and SR1



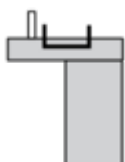
Electrical Composition Corresponding to Code C15

---

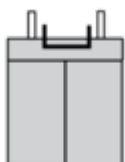
1 N/O



1 N/C



1 N/O + N/C or 1 N/O + N/O or 1 N/C + N/C



**Legend**

---

Single contact



Double contact



Light block







Possible location



Sequence of Contacts Fitted to 2-position Selector Switch Body


Position 315°



Push	Position	Top			
		Bottom			
	Location		Left	Centre	Right
	State		0	0	0
	Contacts	N/O		open	open
N/C		closed	closed	closed	

Position 45°



Push	Position	Top			
		Bottom			
	Location		Left	Centre	Right
	State		1	1	1
Contacts	N/O		closed	closed	closed
	N/C		open	open	open

Technical illustration

**Dimensiuni**

---