

# Product datasheet

Specifications



green rectangular flush complete  
pushbutton Ø16 spring return  
1NO+1NC unmarked

XB6DA35B

## Main

Range Of Product	Harmony XB6
Product Or Component Type	Complete push-button
Device Short Name	XB6
Bezel Material	Plastic
Mounting Diameter	16 mm
Sale Per Indivisible Quantity	1
Shape Of Signaling Unit Head	Rectangular
Type Of Operator	spring return
Operator Profile	Green flush, unmarked
Contacts Type And Composition	1 NO + 1 NC
Contact Operation	Slow-break
Connections - Terminals	Faston connectors, connection size: 2.8 x 0.5 mm

## Complementary

Cad Overall Width	24 mm
Cad Overall Height	18 mm
Cad Overall Depth	57 mm
Terminals Description Iso N°1	(13-14)NO (21-22)NC
Net Weight	0.022 kg
Operating Position	Any position
Positive Opening	With conforming to EN/IEC 60947-5-1 appendix K
Operating Travel	1 mm (NO changing electrical state) 2 mm (NC changing electrical state) 3.5 mm (total travel)
Operating Force	3.5 N NO changing electrical state 4.5 N NC changing electrical state
Mechanical Durability	2000000 cycles
Contacts Material	Silver alloy (Ag/Ni)
Short-Circuit Protection	6 A cartridge fuse type gG
[UI] Rated Insulation Voltage	250 V (pollution degree 3) conforming to EN/IEC 60947-1
[Uimp] Rated Impulse Withstand Voltage	4 kV conforming to EN/IEC 60947-1

Disclaimer: This documentation is not intended as a substitute for and is not to be used for determining suitability or reliability of these products for specific user applications

<b>[Ie] Rated Operational Current</b>	3 A at 120 V, AC-15, B300 conforming to EN/IEC 60947-5-1 1.5 A at 240 V, AC-15, B300 conforming to EN/IEC 60947-5-1 0.1 A at 250 V, DC-13, R300 conforming to EN/IEC 60947-5-1 0.22 A at 125 V, DC-13, R300 conforming to EN/IEC 60947-5-1
---------------------------------------	---

<b>Electrical Durability</b>	1000000 cycles, AC-15 at 230 V, operating rate <3600 cyc/h, load factor: 0.5 conforming to EN/IEC 60947-5-1 appendix C 1000000 cycles, DC-13 at 230 V, operating rate <3600 cyc/h, load factor: 0.5 conforming to EN/IEC 60947-5-1 appendix C
------------------------------	--

<b>Electrical Reliability</b>	$\Lambda = 10\text{exp}(-8)$ at 5 V and 1 mA with confidence level of 90 % conforming to IEC 60947-5-4
-------------------------------	--

## Environment

<b>Protective Treatment</b>	TC
-----------------------------	----

<b>Ambient Air Temperature For Storage</b>	-40...70 °C
--	-------------

<b>Ambient Air Temperature For Operation</b>	-25...70 °C
--	-------------

<b>Electrical Shock Protection Class</b>	Class II conforming to IEC 61140
--	----------------------------------

<b>Ip Degree Of Protection</b>	IP65 conforming to IEC 60529
--------------------------------	------------------------------

<b>Nema Degree Of Protection</b>	NEMA 13 conforming to UL 50 NEMA 4 conforming to UL 50 NEMA 4X conforming to UL 50 NEMA 13 conforming to CSA C22.2 No 94 NEMA 4 conforming to CSA C22.2 No 94 NEMA 4X conforming to CSA C22.2 No 94
----------------------------------	--

<b>Standards</b>	EN/IEC 60947-1 JIS C 852 EN/IEC 60947-5-1 UL 508 EN/IEC 60947-5-5 CSA C22.2 No 14 JIS C 4520
------------------	--

<b>Product Certifications</b>	CSA CCC UL GOST
-------------------------------	--------------------------

<b>Vibration Resistance</b>	+/- 3 mm (f= 2...500 Hz) conforming to IEC 60068-2-6 5 gn (f= 2...500 Hz) conforming to IEC 60068-2-6
-----------------------------	--

<b>Shock Resistance</b>	30 gn (duration = 18 ms) for half sine wave acceleration conforming to IEC 60068-2-27 50 gn (duration = 11 ms) for half sine wave acceleration conforming to IEC 60068-2-27
-------------------------	--

## Packing Units

<b>Unit Type Of Package 1</b>	PCE
-------------------------------	-----

<b>Number Of Units In Package 1</b>	1
-------------------------------------	---

<b>Package 1 Height</b>	2.500 cm
-------------------------	----------

<b>Package 1 Width</b>	5.000 cm
------------------------	----------

<b>Package 1 Length</b>	6.000 cm
-------------------------	----------

<b>Package 1 Weight</b>	16.000 g
-------------------------	----------

<b>Unit Type Of Package 2</b>	S01
-------------------------------	-----

<b>Number Of Units In Package 2</b>	60
-------------------------------------	----

<b>Package 2 Height</b>	15.000 cm
-------------------------	-----------

<b>Package 2 Width</b>	15.000 cm
------------------------	-----------

<b>Package 2 Length</b>	40.000 cm
-------------------------	-----------

Package 2 Weight	1.097 kg
Unit Type Of Package 3	P06
Number Of Units In Package 3	1920
Package 3 Height	75.000 cm
Package 3 Width	80.000 cm
Package 3 Length	60.000 cm
Package 3 Weight	43.104 kg

## Contractual warranty

Warranty	18 months
----------	-----------

## Sustainability

**Green Premium™ label** is Schneider Electric's commitment to delivering products with best-in-class environmental performance. Green Premium promises compliance with the latest regulations, transparency on environmental impacts, as well as circular and low-CO<sub>2</sub> products.

**Guide to assessing product sustainability** is a white paper that clarifies global eco-label standards and how to interpret environmental declarations.

[Learn more about Green Premium >](#)

[Guide to assess a product's sustainability >](#)



Transparency RoHS/REACH

## Well-being performance

Reach Free Of Svhc

---

Toxic Heavy Metal Free

---

Mercury Free

---

Rohs Exemption Information Yes

---

## Certifications & Standards

**Reach Regulation**

[REACH Declaration](#)

---

**Eu Rohs Directive**

Pro-active compliance (Product out of EU RoHS legal scope)

[EU RoHS Declaration](#)

---

**China Rohs Regulation**

[China RoHS declaration](#)

---

**Environmental Disclosure**

[Product Environmental Profile](#)

---

**Weee**

The product must be disposed on European Union markets following specific waste collection and never end up in rubbish bins

---

**Circularity Profile**

[End of Life Information](#)

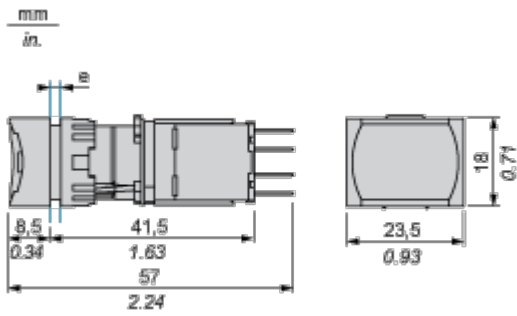
---

Dimensions Drawings

**Rectangular Head Pushbutton**

---

**Dimensions**



e panel thickness 1 to 6 mm/0.03 to 2.48 in.

Mounting and Clearance

Panel Cut-out

---

For Rectangular Head

